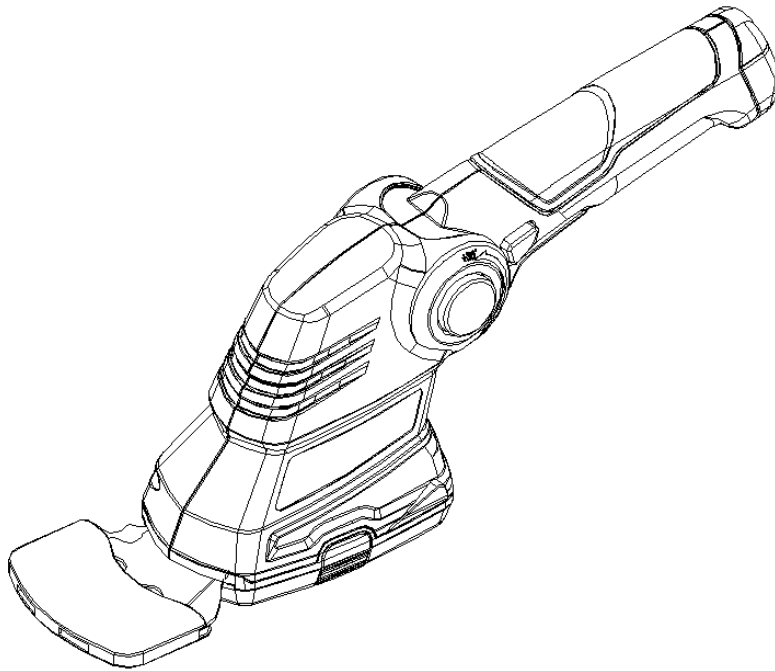


Instruction Manual



Cordless grass and shrub shears

RAC36CS-UK



Translation of Original Instruction:



Read carefully this manual before any use. This manual contains important recommendations concerning the safety.




32 rue aristide Bergès - ZI 31270 Cugnaux – France

Safety Instructions

Cordless Grass and Shrub Shears

Please read and save these instructions.

TOOL SAFETY WARNINGS

 **WARNING** Read all safety warnings and all instructions. *Failure to follow the warnings and instructions may result in electric shock, fire and/or serious injury.*

Save all warnings and instructions for future reference.

The term "power tool" in the warnings refers to your mains-operated (corded) power tool or battery-operated (cordless) power tool.

1) Work area safety

a) **Keep work area clean and well lit.** *Cluttered or dark areas invite accidents.*

b) **Do not operate power tools in explosive atmospheres, such as in the presence of flammable liquids, gases or dust.** *Power tools create sparks which may ignite the dust or fumes.*

c) **Keep children and bystanders away while operating**

a power tool. *Distractions can cause you to lose control.*

2) Electrical safety

a) Power tool plugs must match the outlet. Never modify the plug in any way. Do not use any adapter plugs with earthed (grounded) power tools. *Unmodified plugs and matching outlets will reduce risk of electric shock.*

b) Avoid body contact with earthed or grounded surfaces, such as pipes, radiators, ranges and refrigerators. *There is an increased risk of electric shock if your body is earthed or grounded.*

c) Do not expose power tools to rain or wet conditions. *Water entering a power tool will increase the risk of electric shock.*

d) Do not abuse the cord. Never use the cord for carrying, pulling or unplugging the power tool. Keep cord away from heat, oil, sharp edges or moving parts. *Damaged or entangled cords increase the risk of electric shock.*

e) When operating a power tool outdoors, use an extension cord suitable for outdoor use. *Use of a cord*

suitable for outdoor use reduces the risk of electric shock.

f) If operating a power tool in a damp location is unavoidable, use a residual current device (RCD) protected supply. Use of an RCD reduces the risk of electric shock.

NOTE the term “residual current device (RCD)” may be replaced by the term “ground fault circuit interrupter (GFCI)” or “earth leakage circuit breaker (ELCB)”.

3) Personal safety

a) Stay alert, watch what you are doing and use common sense when operating a power tool. Do not use a power tool while you are tired or under the influence of drugs, alcohol or medication. A moment of inattention while operating power tools may result in serious personal injury.

b) Use personal protective equipment. Always wear eye protection. Protective equipment such as dust mask, non-skid safety shoes, hard hat, or hearing protection used for appropriate conditions will reduce personal injuries.

c) Prevent unintentional starting. Ensure the switch is

in the off-position connecting to power source and/or battery pack, picking up or carrying the tool. *Carrying power tools with your finger on the switch or energizing power tools that have the switch on invites accidents.*

d) Remove any adjusting key or wrench before turning the power tool on. *A wrench or a key left attached to a rotating part of the power tool may result in personal injury.*

e) Do not overreach. Keep proper footing and balance at all times. *This enables better control of the power tool in unexpected situations.*

f) Dress properly. Do not wear loose clothing or jewellery. Keep your hair, clothing and gloves away from moving parts. *Loose clothes, jewellery or long hair can be caught in moving parts.*

g) If devices are provided for the connection of dust extraction and collection facilities, ensure these are connected and properly used. *Use of dust collection can reduce dust-related hazards.*

4) Power tool use and care

a) Do not force the power tool. Use the correct power

tool for your application. *The correct power tool will do the job better and safer at the rate for which it was designed.*

b) Do not use the power tool if the switch does not turn it on and off. *Any power tool that cannot be controlled with the switch is dangerous and must be repaired.*

c) Disconnect the plug from the power source and/or the battery pack from the power tool before making any adjustments, changing accessories, or storing power tools. *Such preventive safety measures reduce the risk of starting the power tool accidentally.*

d) Store idle power tools out of the reach of children and do not allow persons unfamiliar with the power tool or these instructions to operate the power tool. *Power tools are dangerous in the hands of untrained users.*

e) Maintain power tools. Check for misalignment or binding of moving parts, breakage of parts and any other condition that may affect the power tool's operation. If damaged, have the power tool repaired before use. *Many accidents are caused by poorly maintained power tools.*

f) **Keep cutting tools sharp and clean.** *Properly maintained cutting tools with sharp cutting edges are less likely to bind and are easier to control.*

g) **Use the power tool, accessories and tool bits etc. in accordance with these instructions, taking into account the working conditions and the work to be performed.** *Use of the power tool for operations different from those intended could result in a hazardous situation.*

5) **Battery tool use and care**

a) **Recharge only with the charger specified by the manufacturer.** *A charger that is suitable for one type of battery pack may create a risk of fire when used with another battery pack.*

b) **Use power tools only with specifically designated battery packs.** *Use of any other battery packs may create a risk of injury and fire.*

c) **When battery pack is not in use, keep it away from other metal objects, like paper clips, coins, keys, nails, screws or other small metal objects, that can make a**

connection from one terminal to another. *Shorting the battery terminals together may cause burns or a fire.*

d) Under abusive conditions, liquid may be ejected from the battery; avoid contact. If contact accidentally occurs, flush with water. If liquid contacts eyes, additionally seek medical help. *Liquid ejected from the battery may cause irritation or burns.*

6) Service

a) Have your power tool serviced by a qualified repair person using only identical replacement parts. *This will ensure that the safety of the power tool is maintained.*

Hedge trimmer safety warnings:

- **Keep all parts of the body away from the cutter blade. Do not remove cut material or hold material to be cut when blades are moving. Make sure the switch is off when clearing jammed material. *A moment of inattention while operating the hedge trimmer may result in serious personal injury.***

- **Carry the hedge trimmer by the handle with the cutter blade stopped. When transporting or storing the hedge trimmer always fit the cutting device cover.** *Proper handling of the hedge trimmer will reduce possible personal injury from the cutter blades.*
- **Keep cable away from cutting area.** *During operation the cable may be hidden in shrubs and can be accidentally cut by the blade*

Instruction to hold the hedge trimmer properly, e.g. with both hands if two handles are provided.

Never operate the machine while people, especially **children**, or pets are nearby

Do not to overreach and to keep balance at all times, to always be sure of footing on slopes and walk, never run

Do not to touch moving hazardous parts before the machine is disconnected from the mains and the moving hazardous parts have come to a complete stop.

Never to operate the machine with defective guards or shields, or without safety devices,

Residual risks

Even if you use this product in compliance with all safety requirements, the potential risks of injury and damage remain. The following hazards may arise in the structure and design of this product:

a. There are harmful health consequences resulting from the emission of vibrations if the product is used for long periods of time or not properly managed and properly maintained.

b. Risk of injury to persons and property caused by flying objects.

c. Prolonged use of this product exposes the operator to vibration and can produce so-called "white finger" disease. To reduce the risk, wear gloves and keep your hands warm.

d. If any of the symptoms of "white finger syndrome" occur, seek immediate medical attention. Symptoms of the "white finger" include numbness, loss of sensitivity, tingling, and pain, loss of strength, colour changes or skin condition. These symptoms usually appear on the fingers, hands or wrists. Risk increases at low temperatures.

- e. Inhalation of particles
- f. Unattended projections
- g. Contact with foreign objects
- h. Contact with the tool in operation
- i. Hearing loss in the absence of correct hearing protection

General safety regulations for electric tools

This equipment is not designed to be used by people (including children) with limited physical, sensory or mental capacities or those with no experience and/or knowledge unless they are supervised by a person who is responsible for their safety or they have received instructions from such a person in how to use the equipment safely. Children must always be supervised in order to ensure that they do not play with the equipment.

Additional safety instructions

- The battery pack supplied with your cordless tool is not charged. The battery pack has to be charged before you use the tool for the first time.
- The battery pack does not reach its maximum capacitance until it has been charged and discharged approximately five times.
- Battery packs lose their charge even when they are not being used. Regular charging is therefore recommended.
- Please check the data marked on the rating plate of the battery charger. Be sure to connect the battery charger to a power supply with the voltage marked on the rating plate. Never connect it to a different mains voltage.
- Keep the battery charger and the cordless tool out of children's reach.

- Wear suitable work clothes. Wear safety goggles.
- Never open the battery pack. Avoid contact with a leaking battery pack. In case of accidental contact, wash the affected area of skin with soap and water. If battery acids gets in your eye, rinse out the eye with clear water for at least 10 minutes and seek a doctor's advice immediately. Neutralize other affected areas with a mild acid such as lemon juice or vinegar.
- Protect the battery charger and its cable from damage and sharp edges. Have damaged cables repaired without delay by a qualified electrician.
- Make sure that the contacts of the battery pack do not come into contact with other metallic objects such as nails or screws. There is a risk of short-circuiting!
- Use only battery chargers that are intended for the battery pack in question.
- Do not use damaged battery chargers.
- Leave repairs strictly to the appointed service center or authorized dealers.
- Do not use the supplied battery charger to charge other cordless tools.
- Never allow the battery pack to become fully discharged. This will cause it to develop a defect.
- Timely recharging of the battery pack will help it serve you well for a long time. You must recharge the battery pack when you notice that the power of the cordless tool drops.
- In heavy use the battery pack will become warm. Allow the battery pack to cool to room temperature before commencing with the charging.
- Protect your cordless tool and the battery charger from moisture and rain.
- Do not use the cordless tool or the battery charger near vapors and inflammable liquids.
- Do not throw battery packs into an open fire. There is a risk of explosion!
- Use the battery charger only in dry conditions and an ambient temperature of 10-40° C.
- Do not keep the battery charger in places where the temperature is liable to reach 50° C. In particular, do not leave the battery charger in a car that is parked in the sunshine.
- Do not ignite the battery pack or expose it to fire.

Do not lose these safety instructions.

Rechargeable batteries and cordless electric machines and tools contain materials that are potentially harmful to the environment. Never place any cordless electric machines or tools in your household refuse. When cordless electric machines or tools become defective or worn, remove the rechargeable batteries and return them to iSC GmbH Eschenstrasse 6, D-94405, Germany. If the rechargeable batteries cannot be removed, return the complete cordless machine or tool. You can then be sure that the equipment will be correctly disposed of by the manufacturer.

Safety instructions for grass shears

- Before you begin your work, examine the material you want to cut. Remove any foreign bodies. Keep a continuous watch out for foreign bodies while you are working. If you come across any foreign bodies while cutting, turn off the device (release the ON button) and remove the items in question.
- Keep the device at a suitable distance from your body while working. Only switch on the device when all parts of the body are well out of the way.
- Make sure that no people or animals ever come within the working or swiveling range of the device.
- Only use the device in broad daylight or make sure that you provide adequate artificial light.
- Important! The cutting tools continue running on after the device has been switched off.
- When the device is not in use, make sure that it is stored in such a way that there is no risk of hands coming into contact with the cutting blades.
- If the cutting blades get jammed while cutting, turn off the device (release the ON button) and remove the object in question (thick branch, foreign body) with a suitable blunt aid.

Never remove any such objects with your fingers as the pre-tensioned blade can cause serious injuries through cutting.

- Keep the air vents clean.
- Keep the charging cable away from the blades. Never use the device with the charging cable plugged in.
- We recommend that you use a socket with a residual current device with maximum 30mA tripping current for the charger.
- Never attempt to remove the cuttings with the motor running or to hold material you wish to cut. Always switch off the device before attempting to remove any jammed cuttings.
- Make sure you keep all parts of your body away from the blade. Never attempt to remove the cuttings with the blade running or to hold the material you wish to cut. Always switch off the equipment before attempting to remove any jammed cuttings. A single moment of carelessness when using the hedge trimmer can result in serious injuries.
- Carry the hedge trimmer by its handle with the blades at a standstill. Always fit the protective cover when transporting the hedge trimmer or putting it into storage. Careful handling of the equipment reduces the likelihood of injury by the blade.
- Keep the cable out of the cutting zone. During operation the cable may be hidden by the hedge and be cut through by accident.
- Hold the equipment correctly, for example with both hands if the equipment is fitted with two handles.
- Familiarize yourself with the operator controls and proper operation of the machine.
- Local regulations may set minimum age requirements for the user.
- Always keep in mind that the operator or user of the equipment is responsible for accidents or risks involving other persons or their property.
- Never use the machine with safety devices which are damaged or fitted in the wrong position.
- Beware of injuries to your feet and hands by the cutting mechanism.
- Use only spare parts and accessories which are recommended by the manufacturer.
- Do not switch on the motor until your hands and feet are a safe distance from the cutting mechanism.
- Switch off the machine:
 - whenever it is left unattended;

- before inspecting or cleaning the machine and before carrying out any work on it;
- if it begins to vibrate excessively.
- Hold the power tool by the insulated handles because the blade may strike concealed power cables. Contact between the blade and a live cable can make the metal parts of the equipment live and will cause an electric shock.
- It is recommended to search the hedge for hidden objects such as wire fencing.

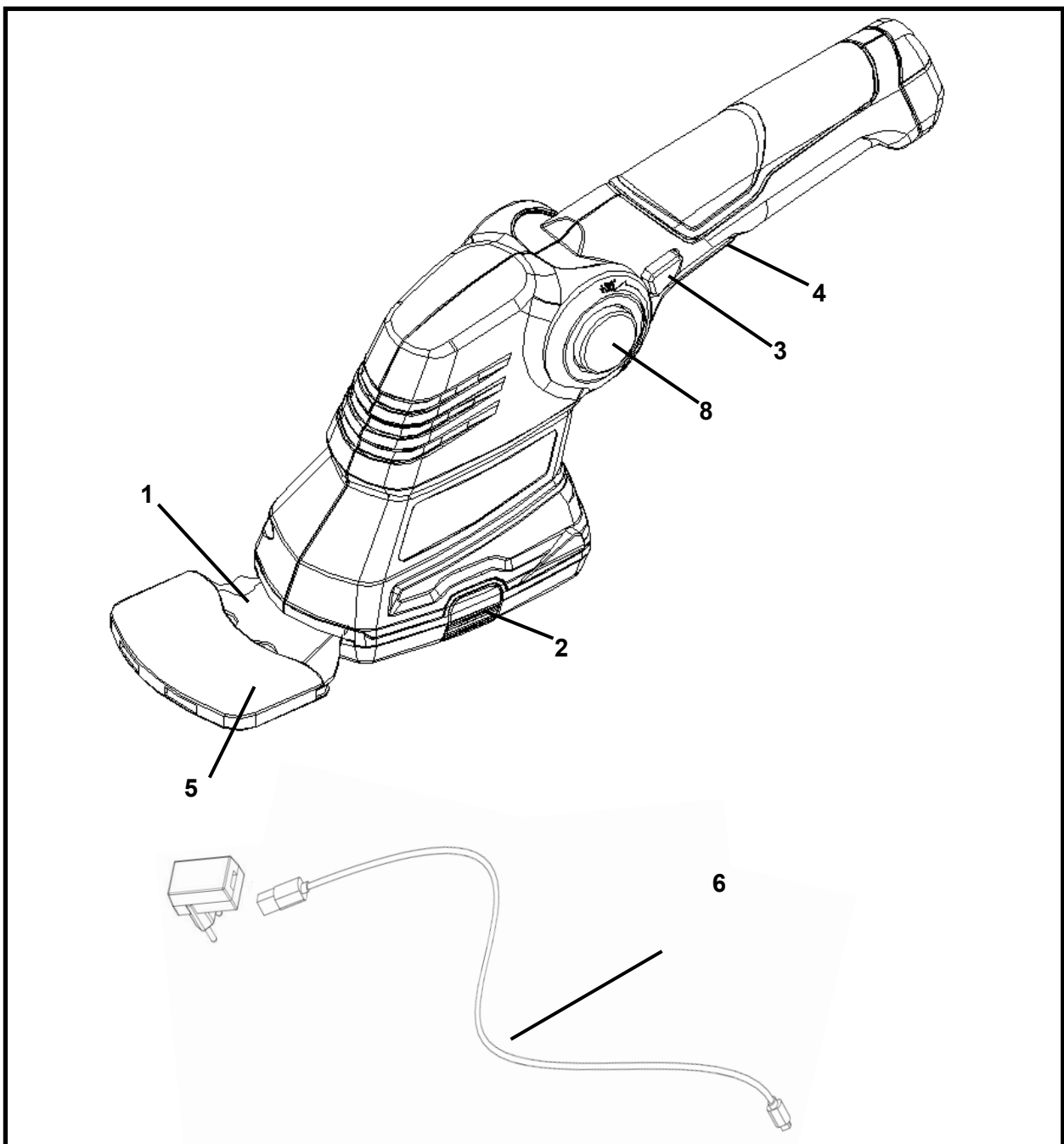


Fig. 1

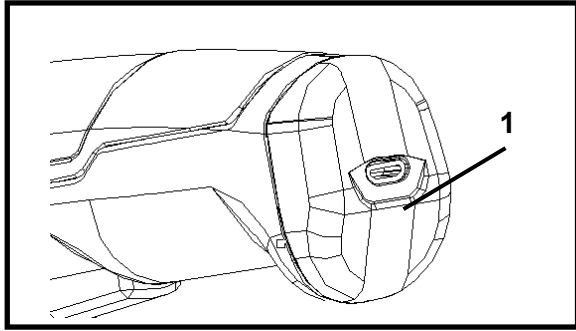


Fig.2

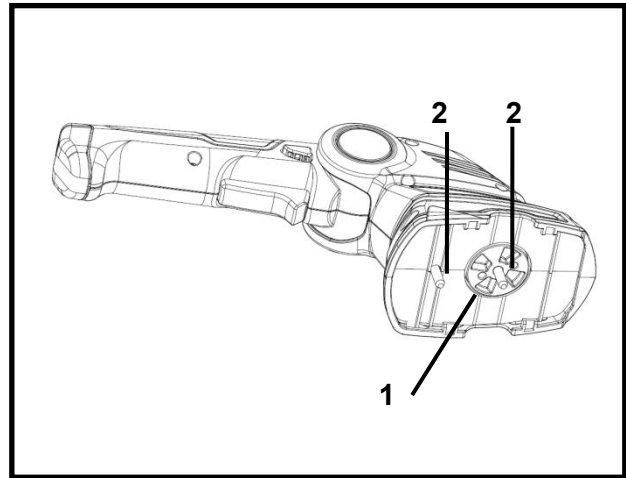
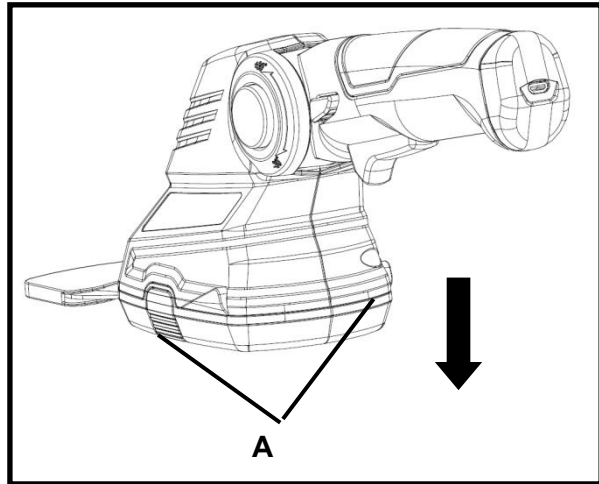


Fig. 3

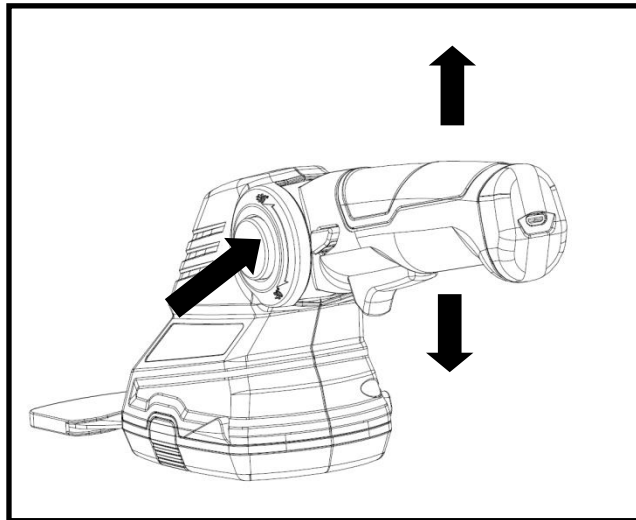











Fig. 4

Fig. 5

1 	1 	5 
2 	2 	4 
3 	4 	6 

6




Fig. 6



When using the equipment, a few safety precautions must be observed to avoid injuries and damage. Please read the complete operating instructions and safety regulations with due care. Keep this manual in a safe place, so that the information is available at all times. If you give the equipment to any other person, hand over these operating instructions and safety regulations as well. We cannot accept any liability for damage or accidents which arise due to a failure to follow these instructions and the safety instructions.

1. Safety regulations

The corresponding safety information can be found in the enclosed booklet.



Read all safety regulations and instructions.

Any errors made in following the safety regulations and instructions may result in an electric shock, fire and/or serious injury.

Keep all safety regulations and instructions in a safe place for future use.

Explanation of the warning signs on the machine (Figure 6)

1. Important! Read the operating instructions and follow the warnings and safety instructions
2. Keep all other persons away from the danger zone.
3. Caution! The cutter blades continue to run after the motor is switched off . Wait for the blades to come to a standstill.

Risk of injury!

4. Dispose of batteries correctly!
5. Protect the tool from the damp and never expose it to rain.
6. Guaranteed sound power level: 87dB

2. Layout and items supplied

2.1 Layout (Fig. 1)

- 1 Grass cutter blade
- 2 Blade release mechanism
- 3 Safety lock-off
- 4 ON button
- 5 Blade guard
- 6 Battery charger

2.2 Items supplied

- Open the packaging and take out the equipment with care.
- Remove the packaging material and any packaging and/or transportation braces (if available).
- Check to see if all items are supplied.
- Inspect the equipment and accessories for transport damage.
- If possible, please keep the packaging until the end of the guarantee period.

Important!

The equipment and packaging material are not toys. Do not let children play with plastic bags, foils or small parts. There is a danger of swallowing or suffocating!

- Original operating instructions

- Safety instructions

3. Proper use

The equipment is designed for cutting the edges of lawns and small areas of grass in private and hobby gardens.

Tools for private and hobby gardens are not suitable for use in public facilities, parks and sport centers, along roadways, on farms or in the forestry sector. For the tool to be used properly it is imperative to follow the instructions set out in the manufacturer's directions for use.

Important! It is prohibited to use the tool to chop material for composting because of the potential danger to persons and property.

The machine is to be used only for its prescribed purpose. Any other use is deemed to be a case of misuse. The user / operator and not the manufacturer will be liable for any damage or injuries of any kind caused as a result of this.

Please note that our equipment has not been designed for use in commercial, trade or industrial applications. Our warranty will be voided if the machine is used in commercial, trade or industrial businesses or for equivalent purposes.

4. Technical data

Speed n_0 : 1000 rpm

Cutting width of the grass cutter: 70 mm

Cutting thickness of the shrub shears8 mm

Running time max.: 40 min

Battery pack:Li-Ion / 3.6 V d. c. / 1.3Ah

Charging time:3~5h

Protection class: III

L_{pA} sound pressure level: 73 dB

L_{WA} sound power level: 84 dB

Kuncertainty 3 dB

Vibration a_{HV} : 2.5 m/s²

Kuncertainty 1,5 m/s²

Weight: 583g

Battery charger

Mains voltage.....100-240V AC ~ 50-60 Hz

Output

Rated voltage 5V DC

Rated current: 1000 mA

- The vibration emission level has been measured in accordance with a set of standardized criteria and can be used to compare one power tool with another.
- The specified emission level can also be used to make an initial assessment of the exposure to vibrations.
- The vibration emission level may vary from the level specified during actual use, depending on the way in which the power tool is used.
- Try to keep the impact from vibrations as low as possible. Exposure to vibrations can be reduced by wearing gloves when using the tool, for example, and by limiting the amount of operating time. This includes the full cycle of operation (e.g. times when the power tool is switched off and times when the tool is switched on but no working load is applied).

5. Before starting the equipment

5.1 Charging the battery pack (Fig. 2)

- Connect the charger to the charging station (Fig. 2).
- Check that your mains voltage is the same as that marked on the rating plate of the battery charger. Plug the battery charger in a socket-outlet. The red LED (Fig. 2 / Item 1) comes on to indicate that charging voltage is available.
- The battery pack is being charged. An empty battery pack requires a maximum charging period of 1~2hours. The temperature of the battery pack may rise slightly during the charging operation. This is normal.
- As soon as battery pack is fully charged, the red LED (Fig. 2/Item 1) extinguishes

If the rechargeable battery fails to charge, check whether there is voltage at the socket outlet.

Timely recharging of the battery pack will help it serve you well for a long time. Recharging is always necessary when you notice a drop in the tool's performance.

Never allow the battery pack to become fully discharged. This will cause it to develop a defect.

6. Operation

The area to be cut must first be cleared of stones and other solid objects. The safety lock-off (Fig. 1/ Item 3) prevents the tool being started unintentionally. Activate the safety lock-off (Fig. 1 / Item 3) by pushing it forward and pressing the ON/ OFF switch (Fig. 1 /Item 4) at the same time. To switch off the tool, let go of the ON/OFF switch (Fig. 1 / Item 4).

6.1 Cutting grass

Allow the grass cutter to glide above the ground. The best results are achieved when the lawn is dry.

When you notice a drop in cutting performance, re-charge the tool immediately so that the battery does not become fully discharged.

6.2 Changing the blades **Caution! Risk of injury!**

To remove the blade, press the release mechanism (Fig. 3 /Item 2) and move down the blade

as shown in Fig. 3 / Item 2.

Once you have removed the blade you will be able to see the toothed wheels of the gear unit (Fig. 4). Make sure that no dirt gets into the gear unit when you change the blade.

To assemble, proceed in the reverse order.

When you adjust the handle angle.

To push inside the rotation button then rotate the machine handle. Fig. 5

There have 3 position between handle and housing.

When you chosen the position what you want, then release the rotation button.

7. Cleaning, maintenance and ordering of spare parts

7.1 Cleaning

- Keep all safety devices, air vents and the motor housing free of dirt and dust as far as possible. Wipe the equipment with a clean cloth or blow it with compressed air at low pressure.
- We recommend that you clean the device immediately each time you have finished using it.
- Clean the equipment regularly with a moist cloth and some soft soap. Do not use cleaning agents or solvents; these could attack the plastic parts of the equipment. Ensure that no water can seep into the device.
- A few drops of oil (e.g. sewing machine oil) will improve the cutting performance of the blades, but never apply any grease to the blades.
- To ensure constant exact cutting it is also important to remove grass remnants and dirt from between the upper and lower blade.

Important!

Never clean the tool under running water - and particularly never with high pressure - because of the potential danger to persons and property. Keep your cordless grass cutter and hedge trimmer in a dry and frost proof place. Choose a place that children are unable to enter.

7.2 Maintenance

- To achieve good results you should keep the blades sharp at all times. In particular we recommend that you immediately level off any jags or ridges caused by stones or the like. The tool should be thoroughly cleaned both before and after use.
- There are no parts inside the equipment which require additional maintenance.

7.3 Ordering replacement parts:

Please quote the following data when ordering

replacement parts:

- Type of machine
- Article number of the machine
- Identification number of the machine

8. Disposal and recycling

The unit is supplied in packaging to prevent its being damaged in transit. This packaging is raw material and can therefore be reused or can be returned to the raw material system.

The unit and its accessories are made of various types of material, such as metal and plastic. Defective components must be disposed of as special waste. Ask your dealer or your local council.



For EU countries only

Never place any electric power tools in your household refuse.

To comply with European Directive 2012/19/UE concerning old electric and electronic equipment and its implementation in national laws, old electric power tools have to be separated from other waste and disposed of in an environment-friendly fashion, e.g. by taking to a recycling depot.

Recycling alternative to the return request:

As an alternative to returning the equipment to the manufacturer, the owner of the electrical equipment must make sure that the equipment is properly disposed of if he no longer wants to keep the equipment. The old equipment can be returned to a suitable collection point that will dispose of the equipment in accordance with the national recycling and waste disposal regulations. This does not apply to any accessories or aids without electrical components supplied with the old equipment.

The reprinting or reproduction by any other means, in whole or in part, of documentation and papers accompanying products is permitted only with the express consent of the iSC GmbH.

Subject to technical changes



DECLARATION OF CONFORMITY



BUILDER SAS

ZI, 32 rue aristide Bergès – 31270 Cugnaux - France

Tel : +33 (0)5.34.502.502 Fax : +33 (0)5.34.502.503

declares that the machines:

Cordless grass and shrub shears

RAC36CS-UK

Serial No.:

have been designed in compliance with the following standards:

EN 60335-1:2012/A11:2014

EN 60745-1:2009/A11;2010

EN 60745-2-15:2009/A1:2010

EN62233:2008

EN 50636-2-94:2014

EN 55014-1:2017

EN 55014-2;2015

And in accordance with the following directives:

Directive Machine 2006/42/EC

Directive EMC 2014/30/EU

Responsible of technical file : Mr Olivier Patriarca

Cugnaux, 26/11/2018

Philippe MARIE / PDG